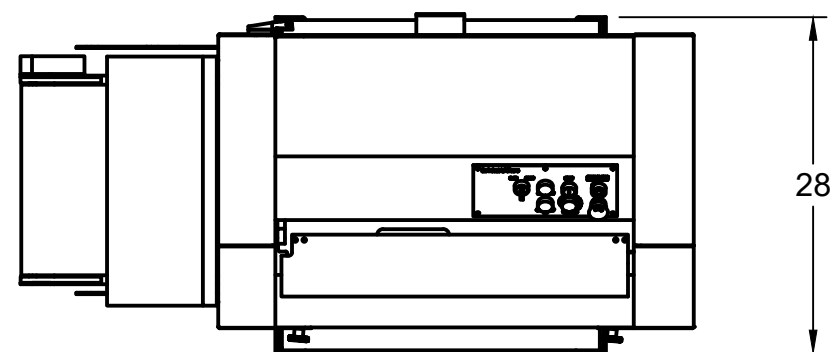
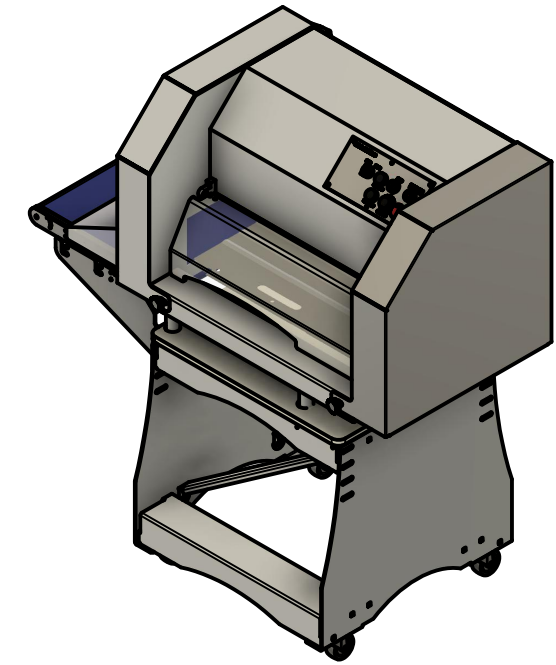
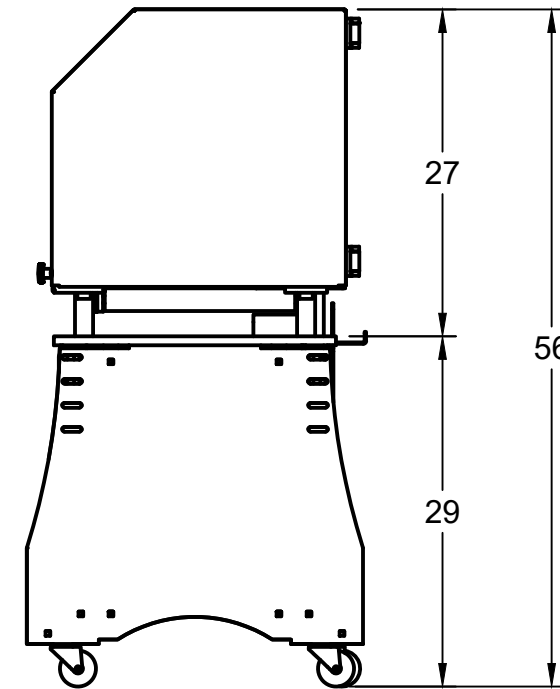
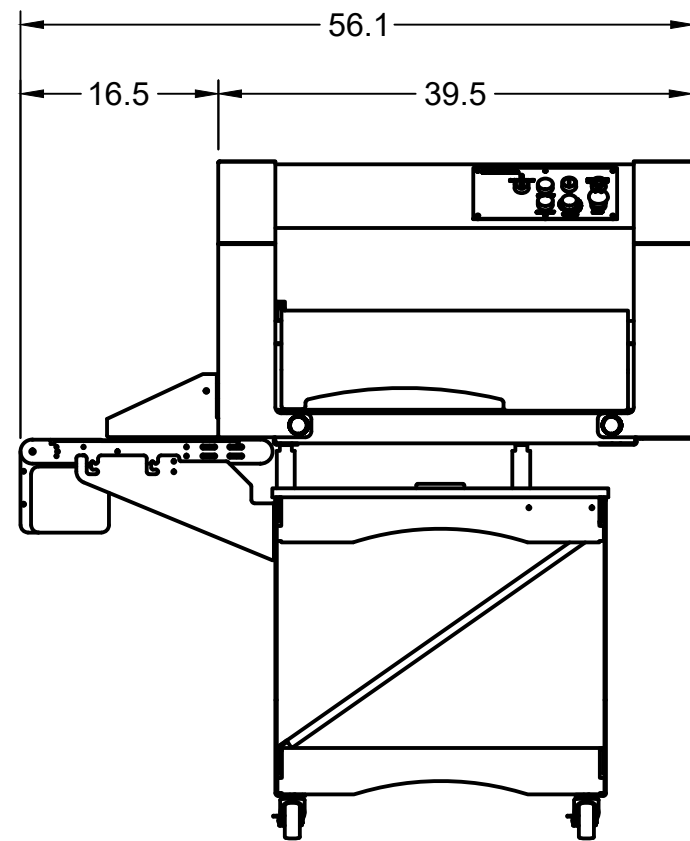


Proudly Made in the USA



FEATURES:

- SLICE PRODUCT IN UNDER 30 SECONDS
- SIMPLE OPERATION: CHOOSE THE SLICE THICKNESS AND PRESS START.
- THE PRODUCT IS SLICED IN UNDER 30 SECONDS THEN STOPS AND RETURNS TO THE HOME POSITION WAITING FOR THE NEXT PRODUCT TO BE LOADED
- FULL WASHDOWN IN UNDER 10 MINUTES
- 120 VAC 15 AMP STANDARD WALL PLUG

Dx Industrial Slicers 1805 Industrial Park Drive Normal, il 61761 309-590-0300 support@dxslicer.com www.dxslicer.com		PROJECT		
		TITLE Dx2000 Bacon Slicer Assembly		
APPROVED	SIZE	CODE	DWG NO	REV
CHECKED	B	INCHES	40200.000	
DRAWN	1/2/2023	SCALE 1:16	WEIGHT	SHEET 1/1