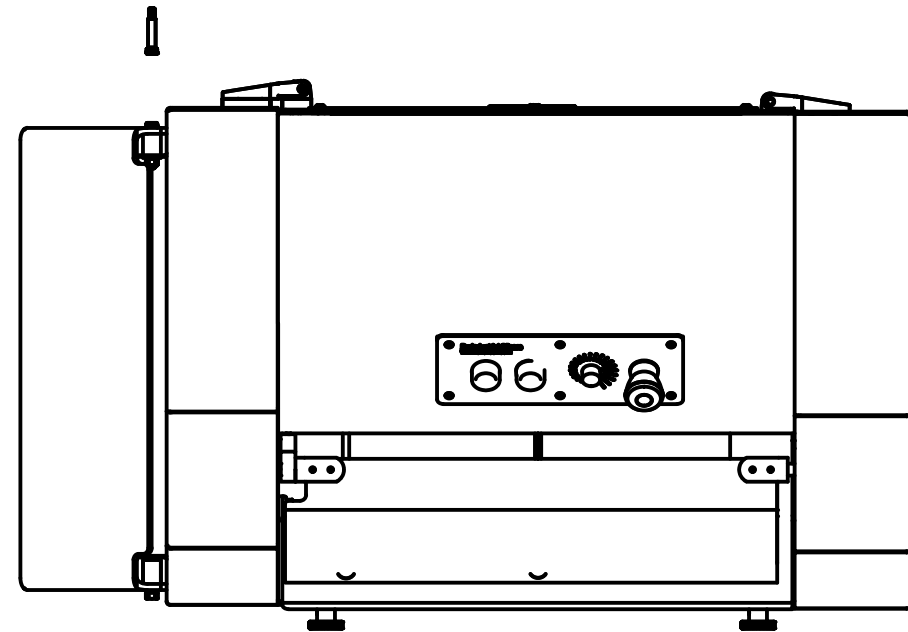
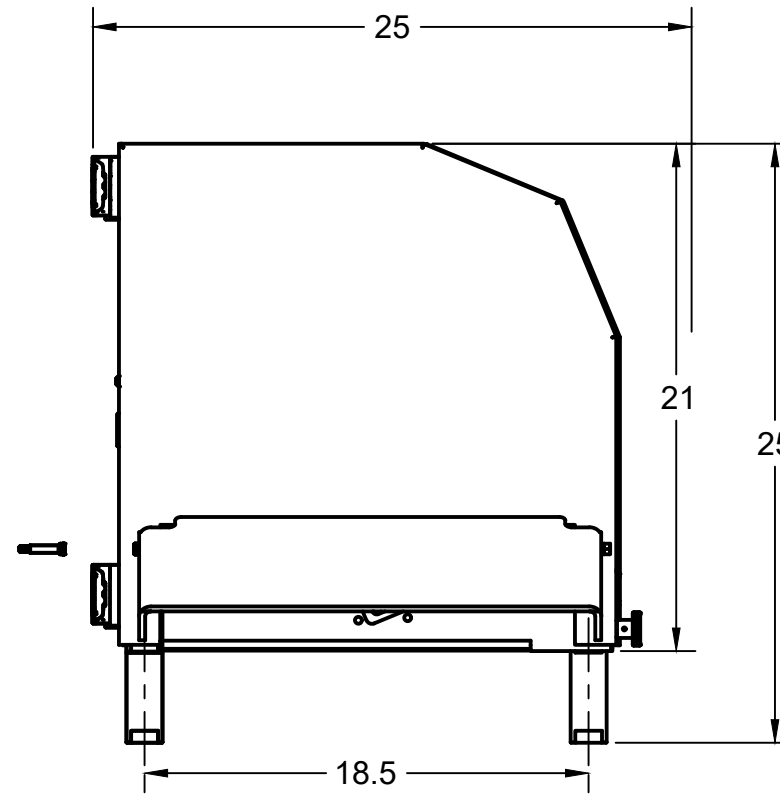
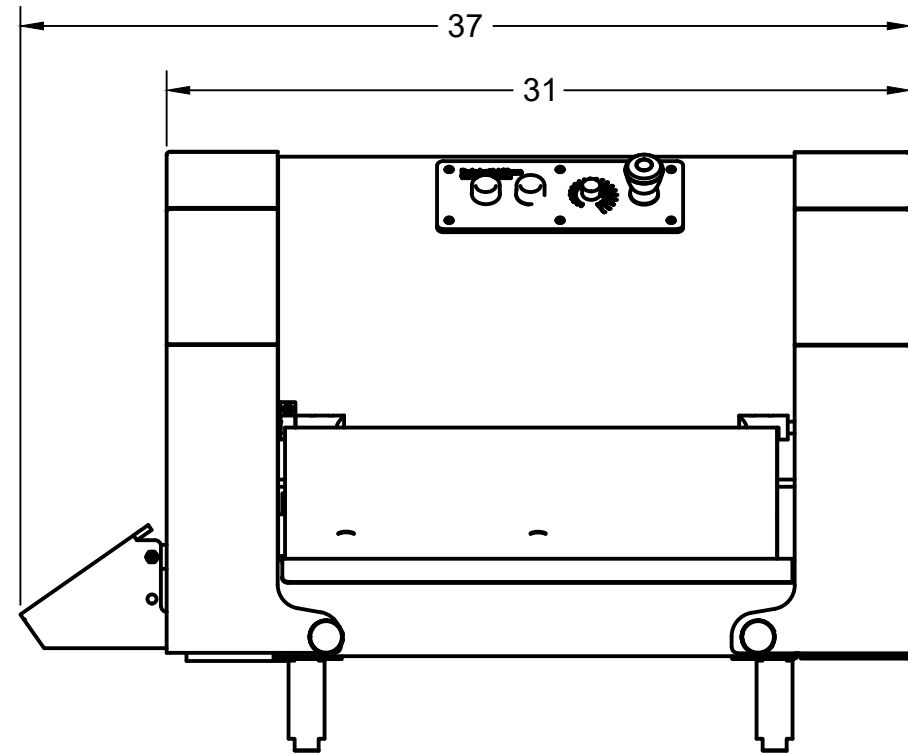
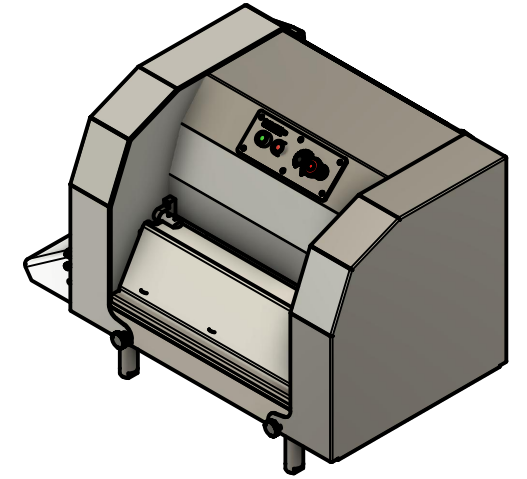


Proudly Made in the USA



FEATURES:

- SLICE PRODUCT IN UNDER 30 SECONDS
- SIMPLE OPERATION: CHOOSE THE SLICE THICKNESS AND PRESS START.
- THE PRODUCT IS SLICED THEN STOPS AND RETURNS TO THE HOME POSITION WAITING FOR THE NEXT PRODUCT TO BE LOADED.
- FULL WASHDOWN IN UNDER 10 MINUTES
- 120 VAC 15 AMP STANDARD WALL PLUG

Dx Industrial Slicers 1805 Industrial Park Drive Normal, IL 61761 (309) 590-0300 support@dxslicer.com www.dxslicer.com		PROJECT			
		TITLE Dx 1000 Industrial Slicer			
APPROVED		SIZE	CODE	DWG NO	REV
CHECKED		B	INCHES	40100.000	
DRAWN	Will Hutter	7/11/2021	SCALE 1:8	WEIGHT	SHEET 1/1