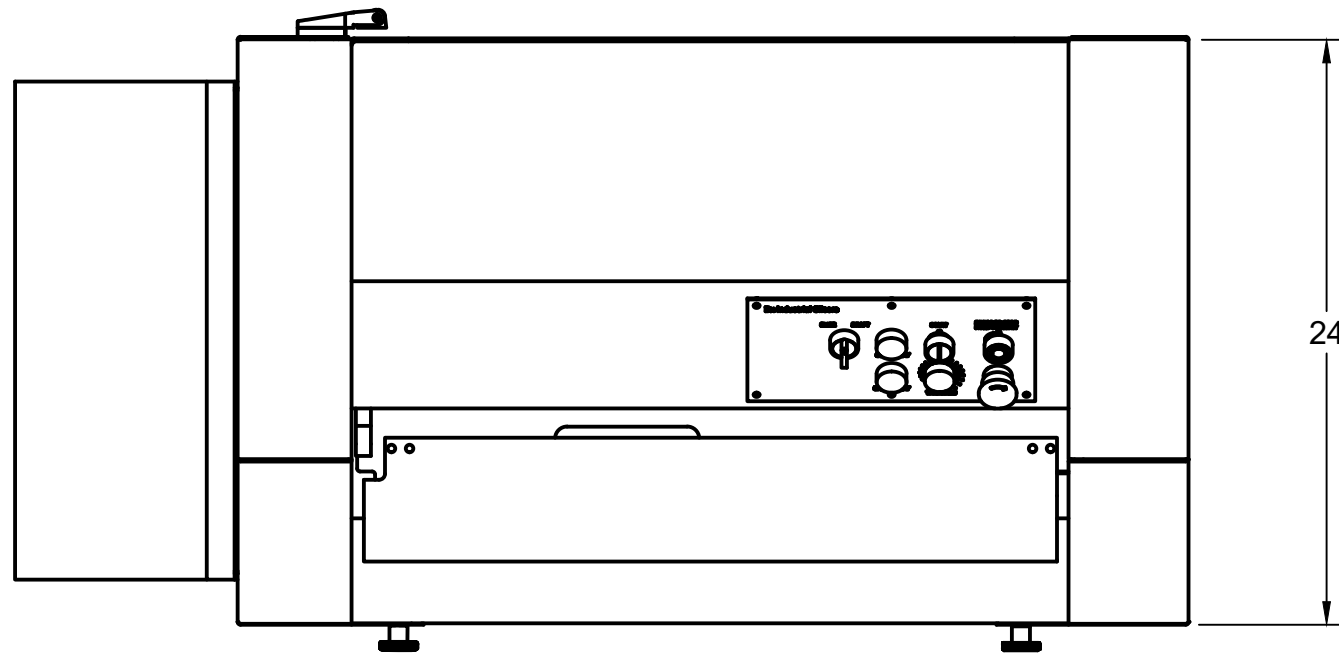
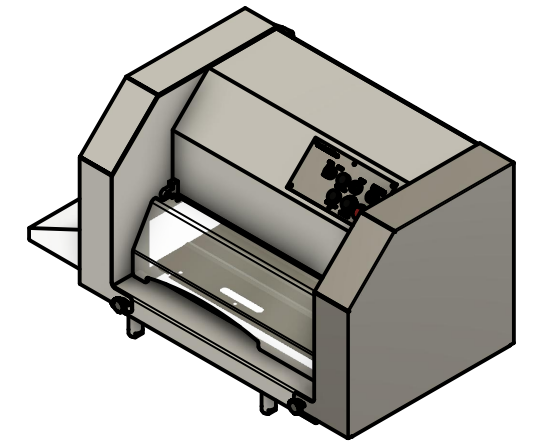
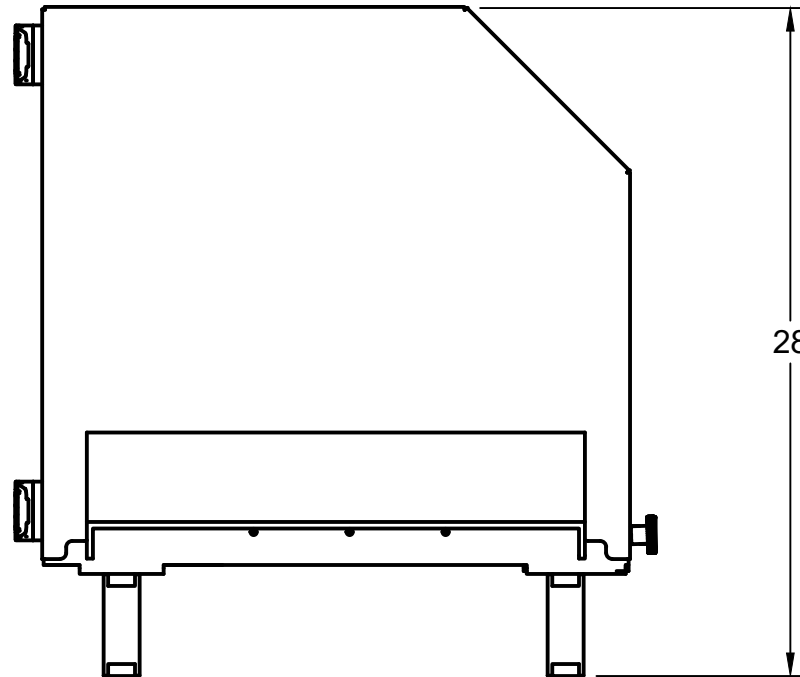
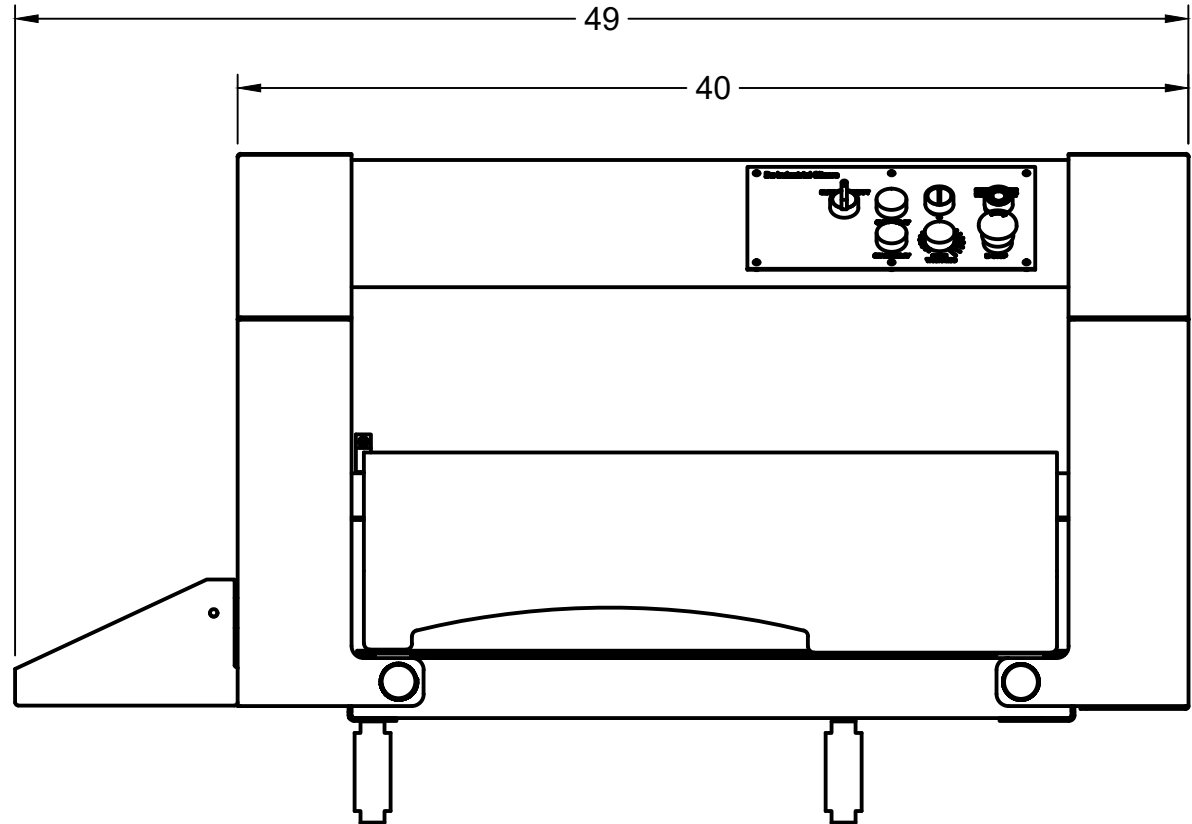




Proudly Made in the USA



FEATURES:

- SLICE PRODUCT IN UNDER 30 SECONDS
- SIMPLE OPERATION: CHOOSE THE SLICE THICKNESS AND PRESS START. THE PRODUCT IS SLICED. THE SLICER THEN STOPPS AND RETURNS TO THE HOME POSITION WAITING FOR THE NEXT PRODUCT TO BE SLICED.
- FULL WASHDOWN IN UNDER 10 MINUTES
- 120 VAC 15 AMP STANDARD WALL PLUG

Dx Industrial Slicers 1805 Industrial Park Drive Normal, IL 61761 309-590-0300  support@dxslicer.com www.dxslicer.com		PROJECT		
		40200-DX2000 / DX3000		
		TITLE		
		Dx2000 Bacon Slicer		
		Dimensional Drawing		
APPROVED	SIZE	CODE	DWG NO	REV
CHECKED	B	INCHES	40200.000	
DRAWN	Will Hutter	1/2/2023	SCALE 1:8	WEIGHT
			SHEET 1/1	

