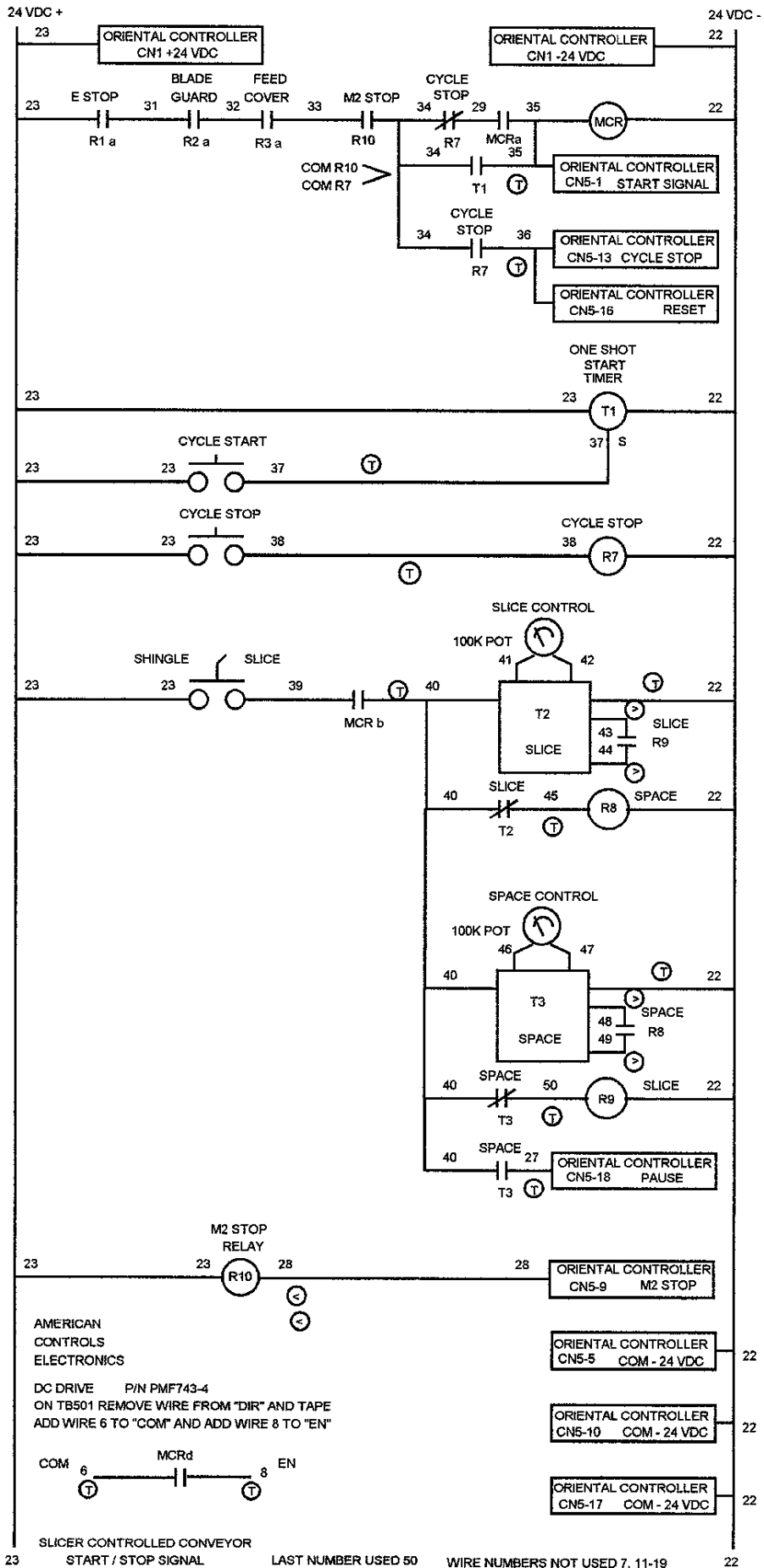


21.11.12*47



23

START / STOP SIGNAL

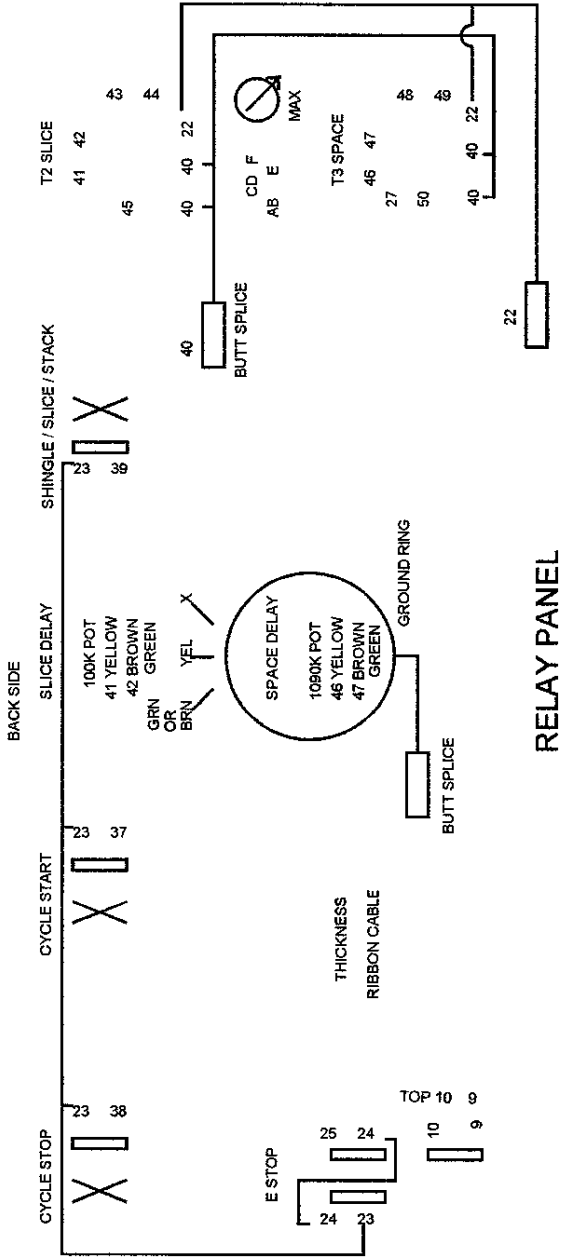
LAST NUMBER USED 50

WIRE NUMBERS NOT USED 7, 11-19

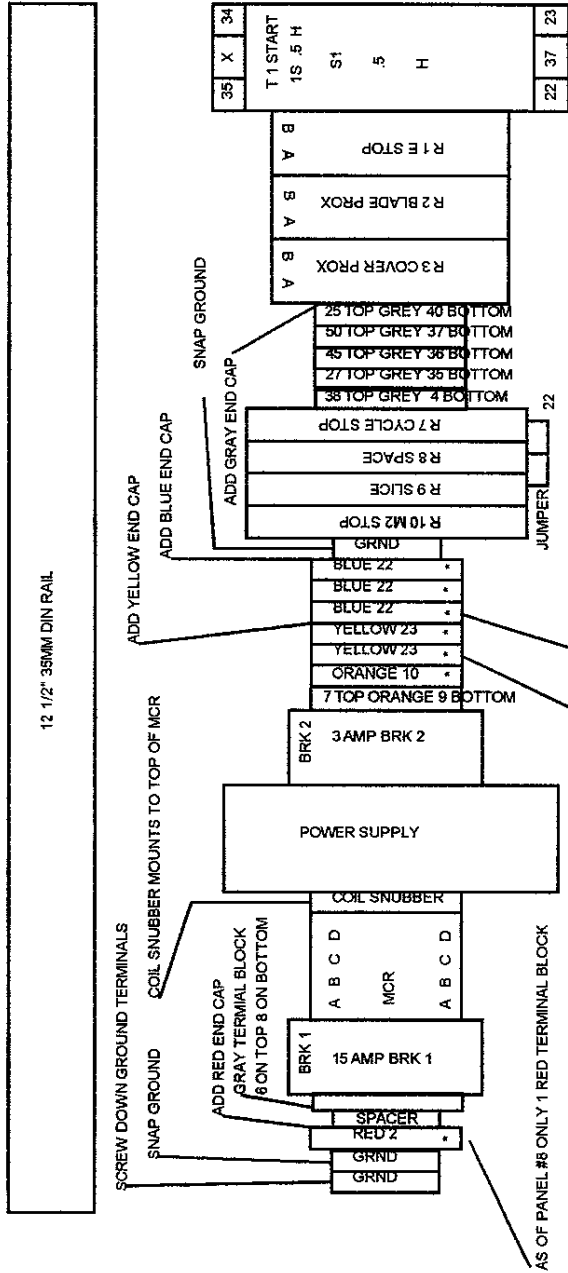
22

21.11.12*47

P/B PANEL LAYOUT WITH CONVEYOR CONTROL



RELAY PANEL



AS OF PANEL 21.10.36

REMOVED GROUND BLOCK FROM RIGHT SIDE OF T1, NOW GROUND
12 COND. CABLE WITH RING TERMINAL TO PANEL MOUNTING STUD.
SHORTENED DIN RAIL TO 12 1/2"
AS OF PANEL #39C

CHANGED SPACER BLOCK FOR A NARROW ONE TO ADD GRAY TERMINAL BLOCK
FOR TERMINALS 6 AND 8 TO STOP CONVEYOR WHEN SLICER STOPS. HOWEVER
SLICER CAN BE CONTROLLED MANUALLY WITH SLICER OFF. AS OF PANEL 43C