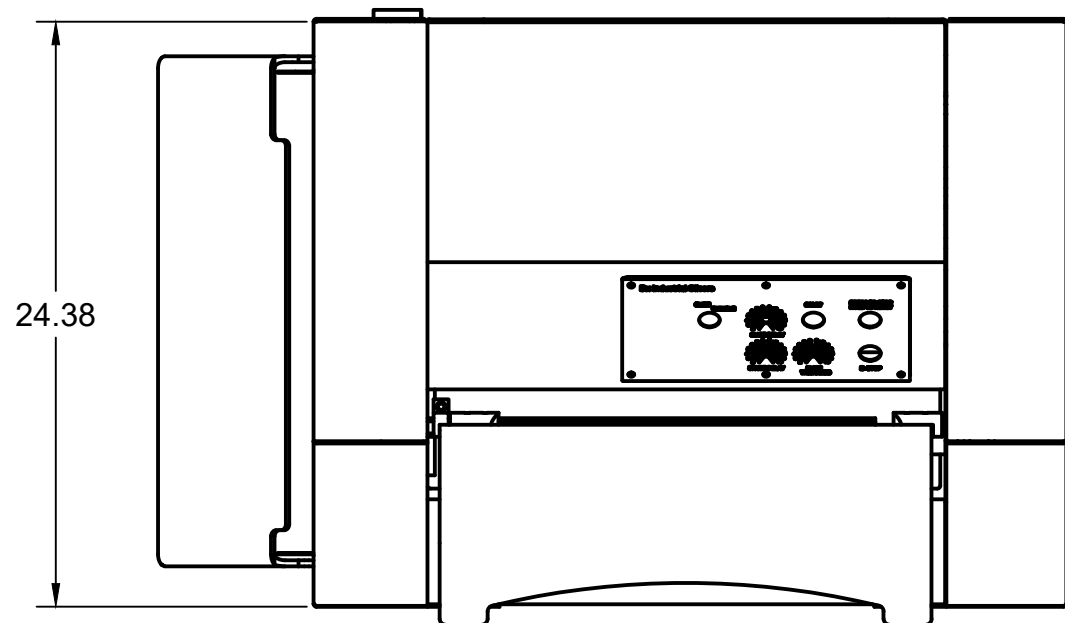
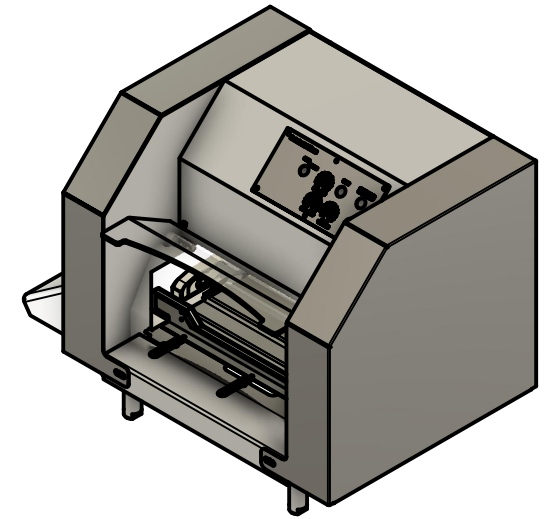
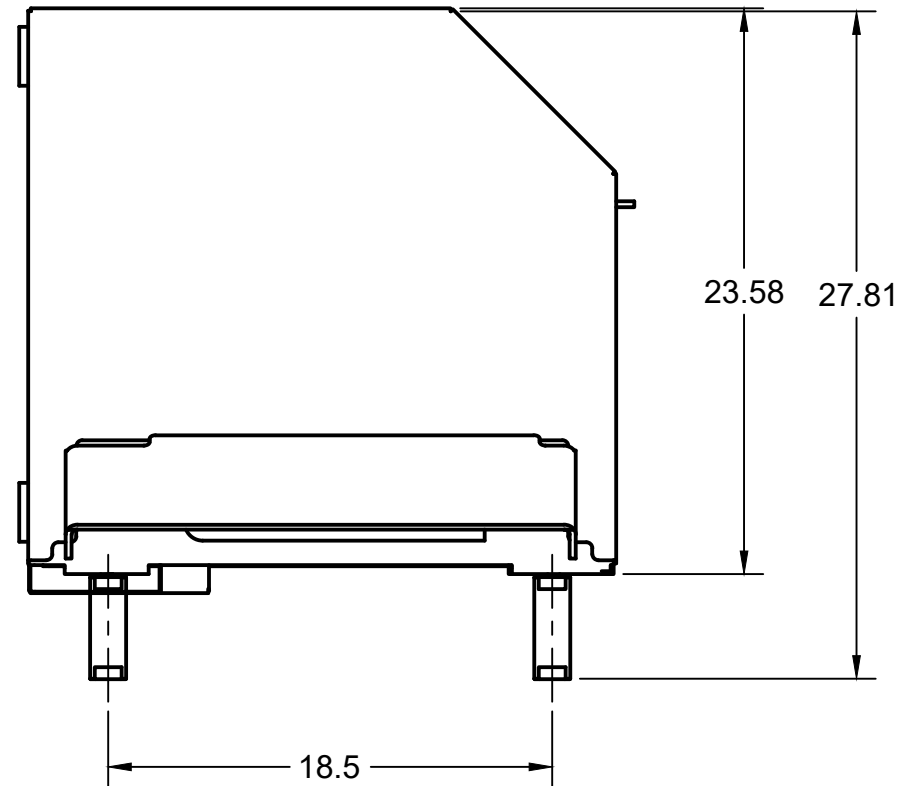
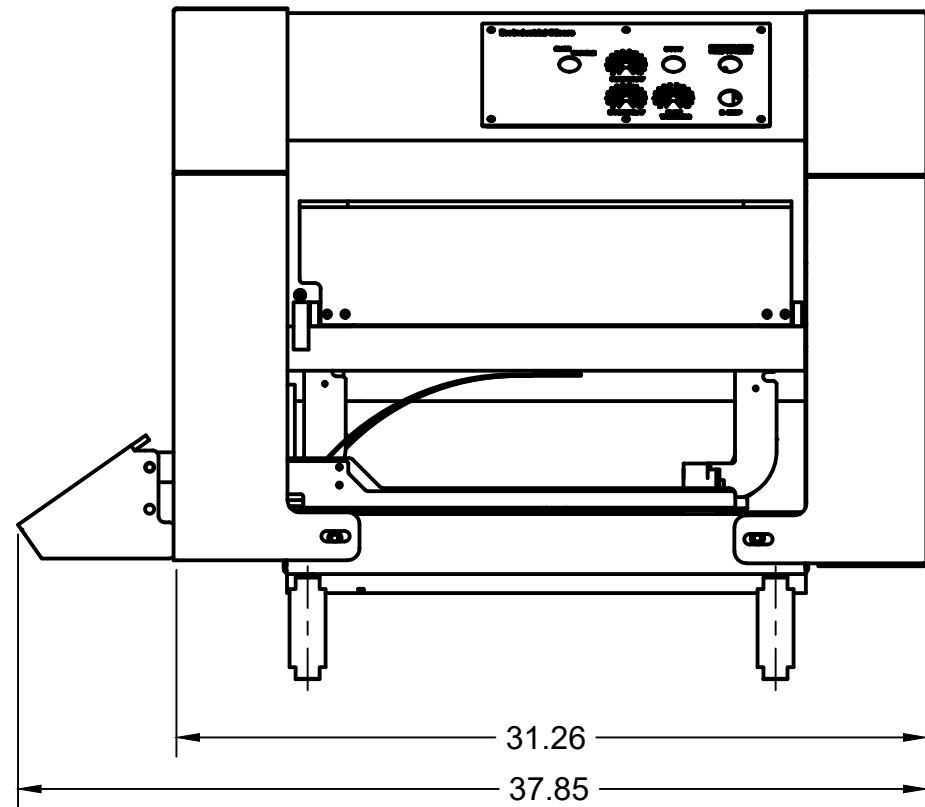


Proudly Made in the USA



FEATURES:

- SLICE PRODUCT IN UNDER 30 SECONDS
- SIMPLE OPERATION: CHOOSE THE SLICE THICKNESS AND PRESS START. THE PRODUCT IS SLICED. THE SLICER THEN STOPS AND RETURNS TO THE HOME POSITION WAITING FOR THE NEXT PRODUCT TO BE LOADED.
- FULL WASHDOWN IN UNDER FIVE MINJTES
- 120VAC UNDER 15 AMP STANDARD WALL PLUG

Dx Industrial Slicers 1805 Industrial Park Drive Normal, IL 61761 (309)590-0300 www.dxslicer.com support@dxslicer.com		PROJECT			
		TITLE Dx3000 Industrial Slicer			
APPROVED		SIZE	CODE	DWG NO	REV
		B	INCHES	40300.000	
DRAWN		7/12/2022	SCALE 1:8	WEIGHT	SHEET 1/1
		Standard Length Dimensional Drawing			