

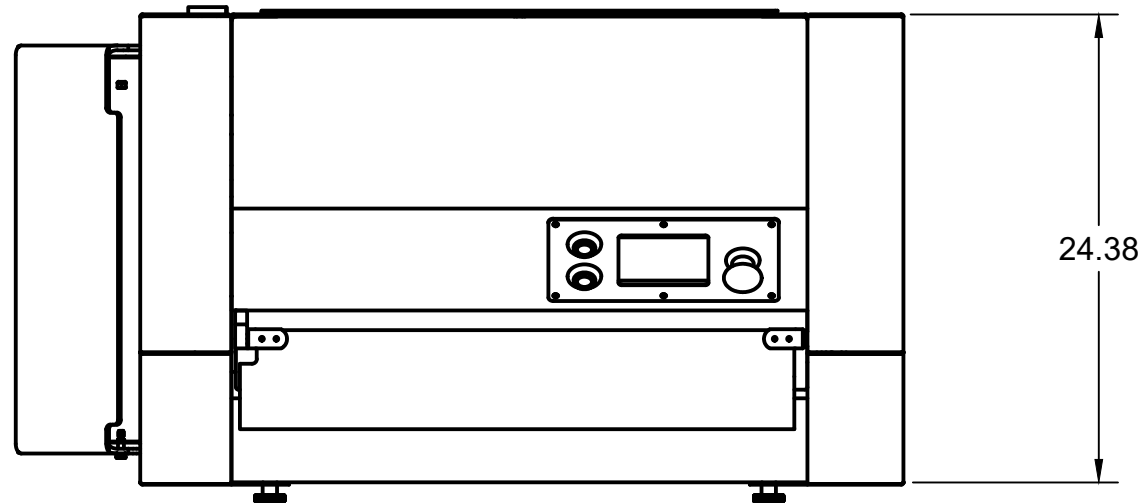
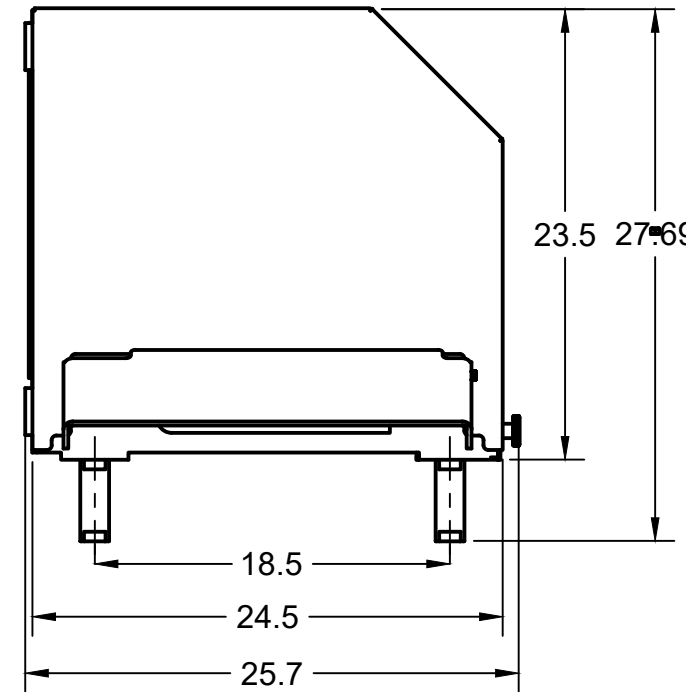
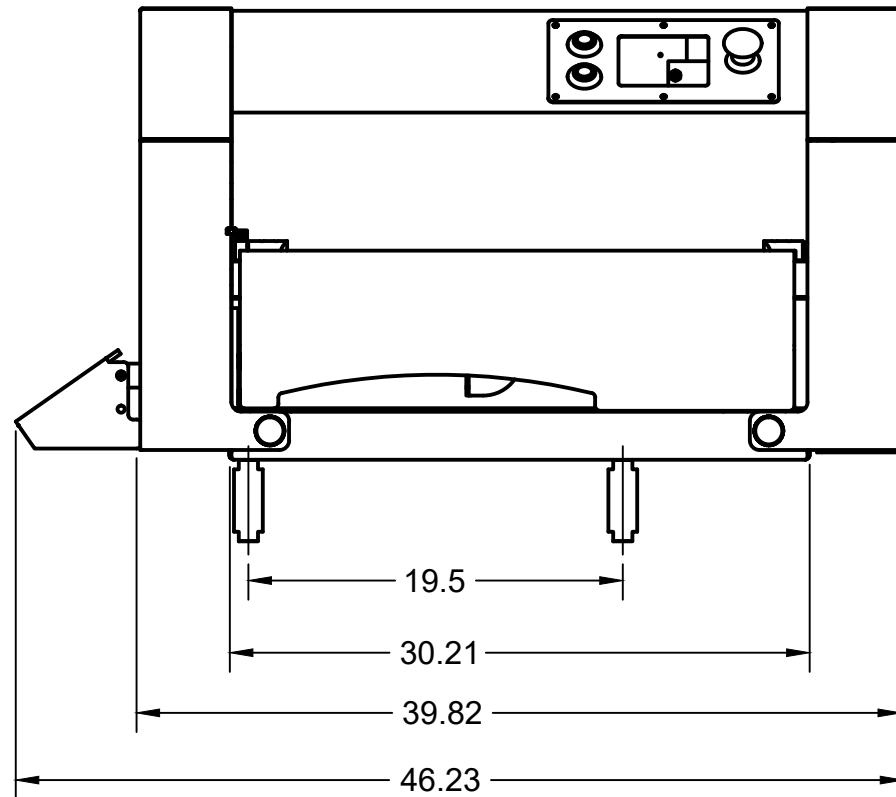
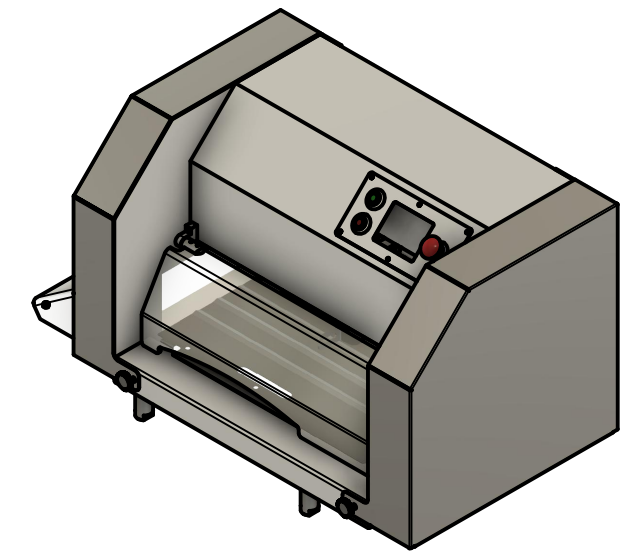
# Dx Industrial Slicers

Proudly Made in the USA

(309) 590-0300

support@dxslicer.com

www.dxslicer.com



PROJECT		40200-Dx2000		
TITLE		Dx2000 Slicer Dimensional Drawing Extended Length Machine		
APPROVED	SIZE	CODE	DWG NO	REV
CHECKED	B			
DRAWN	Will Hutter	7/12/2021	SCALE 1:10	WEIGHT
			SHEET 1/1	